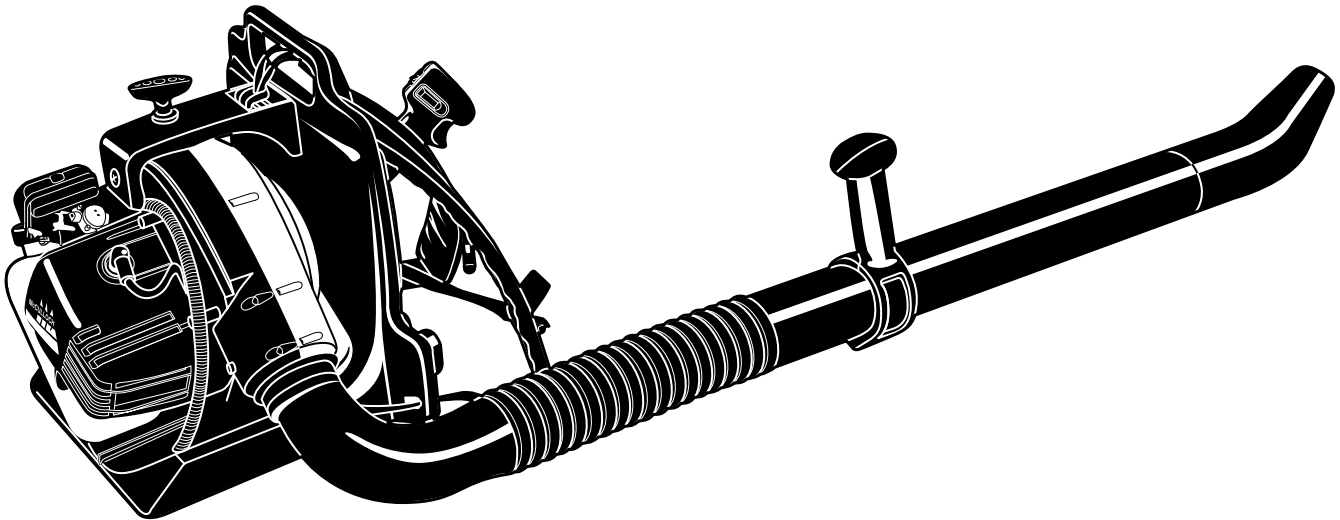


# McCULLOCH®

MODEL NAMES	SERIAL NUMBER	MODEL	ENGINE SIZE
	PREFIX		
MAC 325BP	21-	400232-06	32cc
MB3202	-	-	32cc

## GAS POWERED ANTI-VIBRATION BACKPACK BLOWER



The policy of McCulloch is one of continual improvement in design, manufacturing and engineering advancement wherever possible to assure still finer power tools. Hence, specifications, equipment colors, design and manufacturer's suggested list prices are subject to change without notice. McCulloch reserves the right to make such changes without prior notification or obligation to backfit or supply backfit components for units previously shipped from the factory.

**MARCH 2003**

## ILLUSTRATED PARTS LIST

**P.O. Box 31567  
Tucson, Arizona 85751-1567 • U.S.A.**

McCulloch products are identified by a model number (in this instance 400232) followed by a suffix number (06). Suffix numbers denote variations in parts or assemblies used in the manufacture of this product.

Illustrated Parts Lists (IPLs) contain a PART NUMBER, DESCRIPTION, UNITS per assembly and STOCKING CODE for each part.

Stocking Codes are:

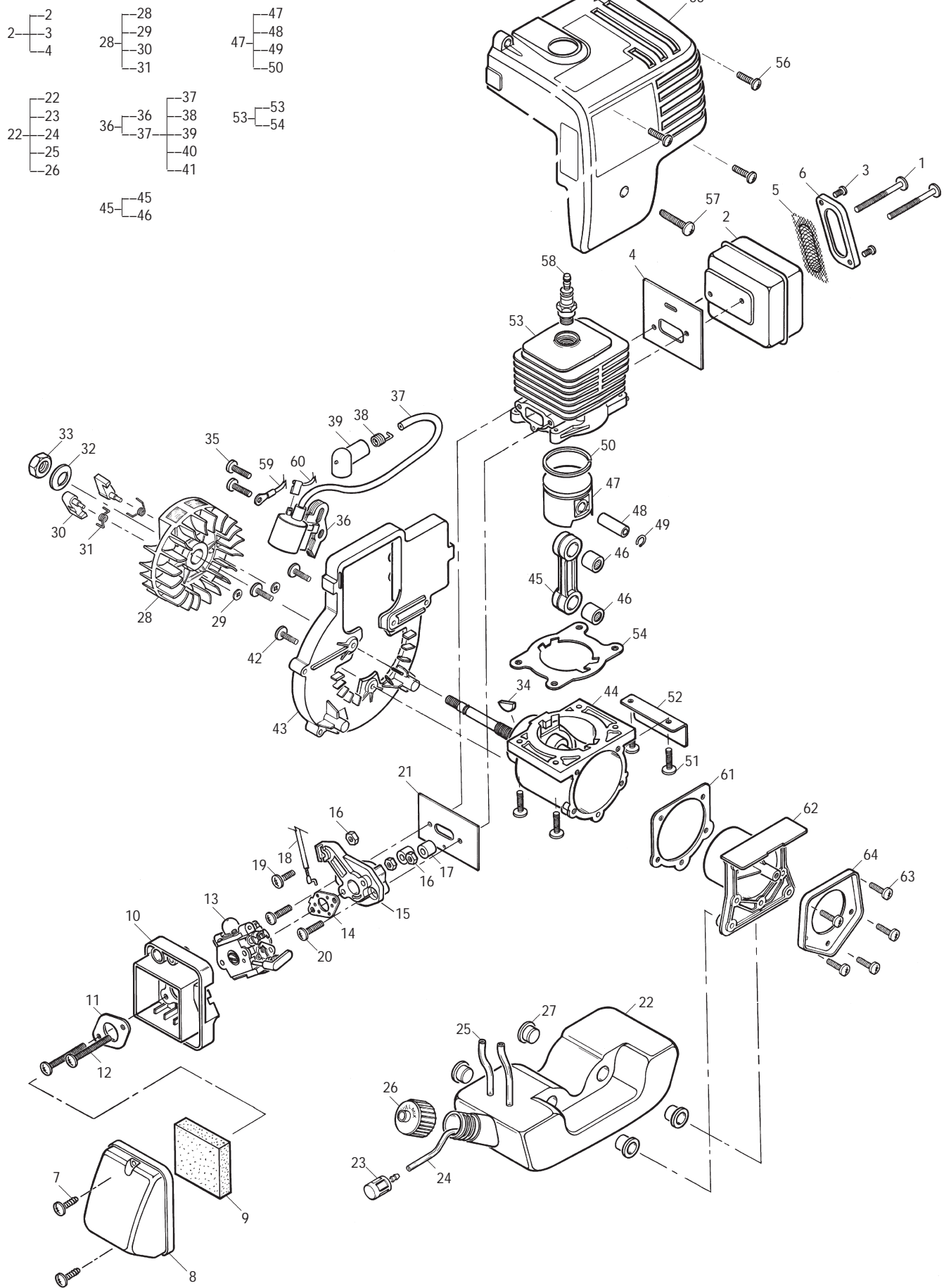
- A - Dealer stocked. Fast to medium moving part.
- B - Distributor stocked. Medium to slow moving part.
- C - Factory stocked. Slow moving part.

NOTE: The following explains symbols and footnotes in this IPL:

- (-) A dash preceding a PART NUMBER indicates that it is a new part number, different from the one listed in the previous IPL for this unit.
- (.) One or more dots (. Spring, Starter) preceding a part DESCRIPTION indicates the part is included in the kit or assembly described directly above the dot(s).
- (-- --) If four dashes appear in place of a PART NUMBER, the part is not available individually but is included in the next higher assembly or subassembly.
- ① A circled number preceding a DESCRIPTION footnote the part or assembly to additional information on the page.
- (\*) An asterisk denotes that choices follow or precede.

**FIGURE 1**

**POWERHEAD ASSEMBLY**



# POWERHEAD ASSEMBLY

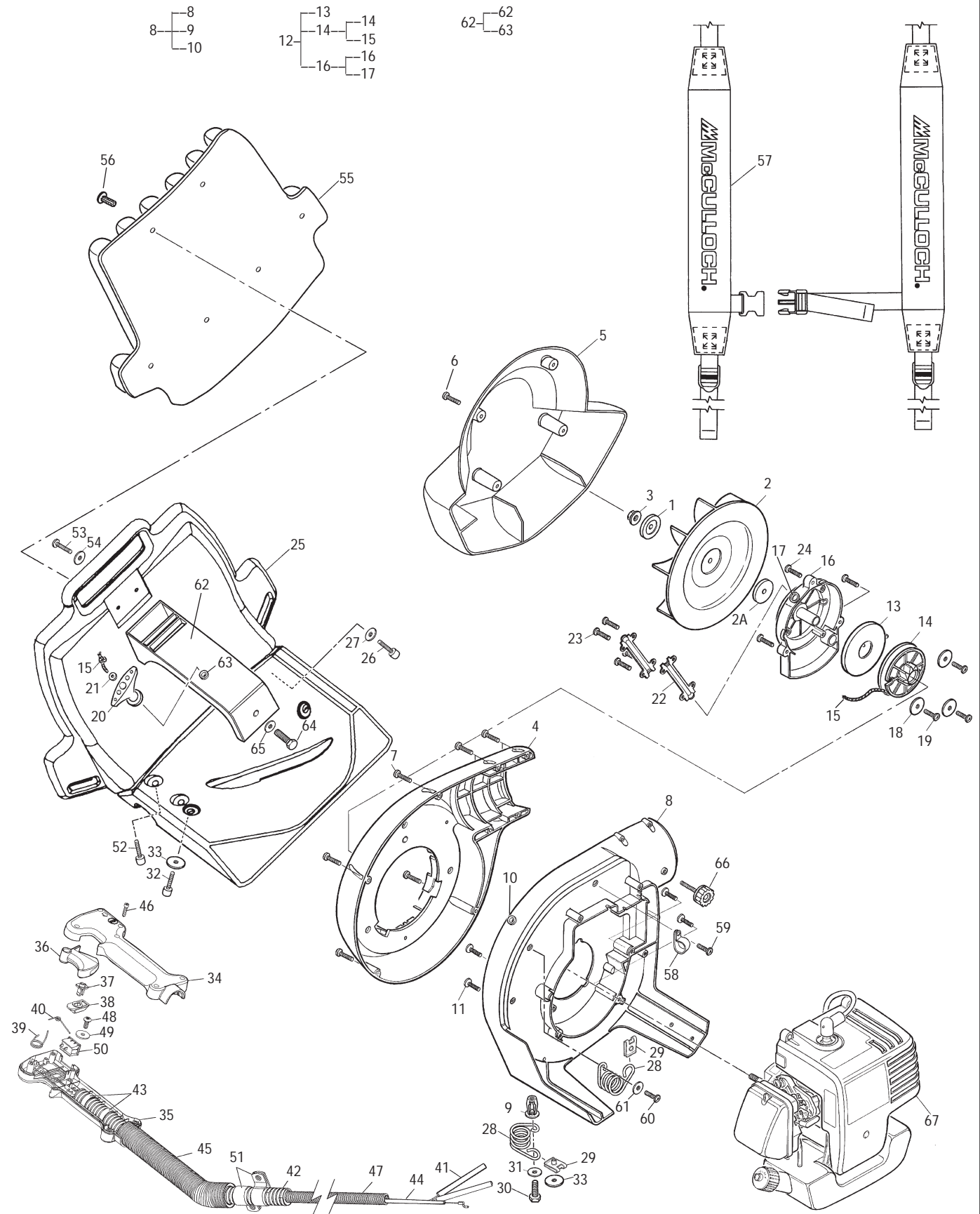
# FIGURE 1

ITEM NO.	STK CODE	PART NUMBER	DESCRIPTION	UNITS PER ASY	ITEM NO.	STK CODE	PART NUMBER	DESCRIPTION	UNITS PER ASY
1	B	111159	Screw, 10-24x2.25 Taptite	2	36	A	302138	Ignition Asy	1
2	B	224707	Kit, Muffler	1	37	A	223884	. Kit, Spark Plug Wire	1
3	-	---	. Screw	2	38	A	102556	.. Connector, Spark	1
4	C	322420-01	. Plate, Muffler	1	39	A	95266	.. Boot, Spark Plug	1
5	B	322413	Screen, Spark Arrester	1	40	B	215533-01	① .. Grommet, H/T Lead, Split	1
6	C	322414-90	Cover, Spark Arrester	1	41	B	110995	① .. Grommet, S/Plug Wire	1
7	A	300294	Screw, 8-16 x .75 Tr Hd Plastite	2	42	B	111067	Screw, 10-24 x .63	3
8	A	322429-61	Cover, Air Box	1	43	A	322396	Shroud, Engine	1
9	A	224239	Filter, Air	1	44	C	224713	Short Block Asy	1
10	B	322436-61	Box, Air Filter	1	-	---	. C'case Asy	1	
11	C	322425-90	Plate, Air Box	1	-	---	. C'shaft Asy	1	
12	A	218083	Screw, 10-24 x 2 Torx	2	-	---	. Bearing 6202	1	
13	-	FIGURE 4	Carburetor Assembly	1	-	---	. Bearing 6202RS	1	
14	A	218933	Gasket, Carburetor	1	-	---	. Seal	1	
15	C	322434	Manifold, Carburetor	1	45	-	---	Connecting Rod Asy	1
16	A	218315	. Nut, 10-24	3	46	-	---	. Bearing	2
17	A	322188	. Spacer, Rubber	2	47	-	---	Kit, Piston, 32cc	1
18	B	322409	. Cable, Throttle	1	48	-	---	. Piston Pin, C'shaft	1
19	A	111226	. Screw, 10-24 x .62 Tr Hd Torx	1	49	-	---	. Ring, Retaining	1
20	A	111203-00	Screw, 10-24 x .875 Taptite	2	50	-	---	. Ring, Piston	1
21	A	323912	Gasket, Manifold	1	51	A	111065	Screw, 10-24 x .688 Tri Rnd	4
22	A	224207	Fuel Tank Asy	1	52	A	322426-90	Shield, Muffler	1
23	A	216985	. Filter, Fuel	1	53	-	---	Kit, Cylinder/Gasket, 32cc	1
24	A	225162	. Hose, Fuel	1	54	A	224022	. Gasket, Cylinder	1
25	A	225163	. Hose, Fuel Return	1	55	A	322432-61	Cover, Cylinder/Muffler	1
26	A	223508	. Kit, Fuel Cap w/Retainer	1	56	A	300294	Screw, 8-16 x .75 Tr Hd Plastite	3
27	A	322105	Isolator, Fuel Tank	4	57	B	218644	Screw, 10-14 x .75 Torx	1
28	B	301352-01	Flywheel Asy	1	58	A	92879	Spark Plug, RDJ8J	1
29	A	550001	Pawl Kit	2	59	A	302057	Wire Asy, Ground	1
29	-	---	. Retainer Ring	2	60	A	302058	Wire Asy, Stop Switch	1
30	-	---	. Pawl, Starter	2	61	A	224023	Gasket, C'case	1
31	-	---	. Spring, Starter Pawl	2	62	A	224024-01	Plug, C'case	1
32	B	111205	Washer, Conical Spring	1	63	A	111065	Screw, 10-24 x .688 Tri Rnd	5
33	B	111085	Nut	1	64	C	322437-90	Plate, C'case	1
34	A	102164	Key, Flywheel	1					
35	A	111203	Screw, 10-24 x .875 Taptite	2					

① Not shown - Not used on this model

FIGURE 2

GENERAL ASSEMBLY



# GENERAL ASSEMBLY

# FIGURE 2

ITEM NO.	STK CODE	PART NUMBER	DESCRIPTION	UNITS PER ASY	ITEM NO.	STK CODE	PART NUMBER	DESCRIPTION	UNITS PER ASY
1	B	218655	Disc, Drive	1	34	C	324204	Housing, Control RH	1
2	B	540002	Kit, Impellar, Blower	1	35	C	324205	Housing, Control LH	1
2A	B	9122-320001	.Disc, Drive	1	36	C	324206	Trigger, Throttle	1
3	A	110961	Nut, Hx 5/16-24	1	37	C	324207	Knob, Lock	1
4	C	324834-60	Outer Housing	1	38	C	324213	Pin, Lock	1
5	C	324214	Cover, Air Inlet	1	39	C	111302	Spring, Trigger	1
6	A	300294	Screw, 8-16 x .75 Tr Hd Plastite	7	40	C	111303	Spring, Lock	1
7	A	300294	Screw, 8-16 x .75 Tr Hd Plastite	8	41	C	324212	Wire Asy, Terminal	2
8	C	302868	Inner Housing Asy	1	42	C	324208	Housing, Flex	1
9	-	---	. Captive Nut	2	43	C	324209	Clamp, Band	2
10	-	---	. Rope Guide	1	44	C	324211	Cable, Throttle	1
11	B	111067	Screw, 10-24 x .63 SI Torx Tp	4	45	C	324210	Sleeve, Flex, 22mm	1
12	B	300795	Starter Housing Asy	1	46	A	111061	Screw, 6-19x.62FI Hd Plast	6
13	A	300475	. Spring/Starter Rewind	1	47	C	324217	Sleeve, Flex, 9mm	1
14	A	300872	. Drum Rope Asy	1	48	B	218643	Screw, Tr 8-16x.5 Torx	1
15	B	323131	.. Rope, Starter 46"	1	49	A	300297	Washer, .19 ID x .68 OD	1
16	B	224710	. Kit, Starter Housing	1	50	C	323429	Switch, Rocker	1
17	-	---	.. Rope Guide	1	51	B	324219	Clamp, Arm	2
18	A	322176	① Washer, .2 ID x 7/8 in. OD	3	52	C	100882	Screw, Hx 1/4-20x.75	2
19	A	300294	① Screw, 8-16 x .75 Tr Hd Plastite	3	53	B	218644	Screw, Tr 10-14x.75 Torx	2
20	A	216792	Handle, Starter	1	54	A	100352	Washer, 10 PI	2
21	B	218941	Washer, Nylon	1	55	C	324202	Cushion, Back	1
22	B	322435	Cover, Rope	2	56	C	111304	Rivet, Ribbed 14.5	6
23	A	300294	Screw, 8-16 x .75 Tr Hd Plastite	4	57	B	324203	Harness, Torso	1
24	A	300294	Screw, 8-16 x .75 Tr Hd Plastite	3	58	C	324225	Clamp, Cable 9/16	1
25	C	324201	Frame, Back	1	59	A	300294	Screw, 8-16x.75 Tr Hd Plast	1
26	C	100882	Screw, Hx 1/4-20x.75	4	60	B	218644	Screw, Tr 10-14x.75 Torx	1
27	B	110990	Washer, .275x.680x.060	4	61	A	93469	Washer, .469 OD - .222 ID	1
28	C	324218	Spring, Isolator	3	62	C	302867	Bracket, Isolator, Upper	1
29	C	111306	Nut, 1/4-20 Type U	3	63	-	---	. Guide, Rope	1
30	C	100882	Screw, Hx 1/4-20x.75	2	64	C	100882	Screw, Hx 1/4-20x.75	1
31	B	216646	Washer, PI .250 ID	2	65	B	216646	Washer, PI .25 ID	1
32	A	217943	Screw, Skt 1/4x20x1.0T	2	66	B	302746	Knob, Screw Asy	1
33	B	110990	Washer, .275x.68x.06	4	67	-	FIGURE 1	Powerhead Asy	1

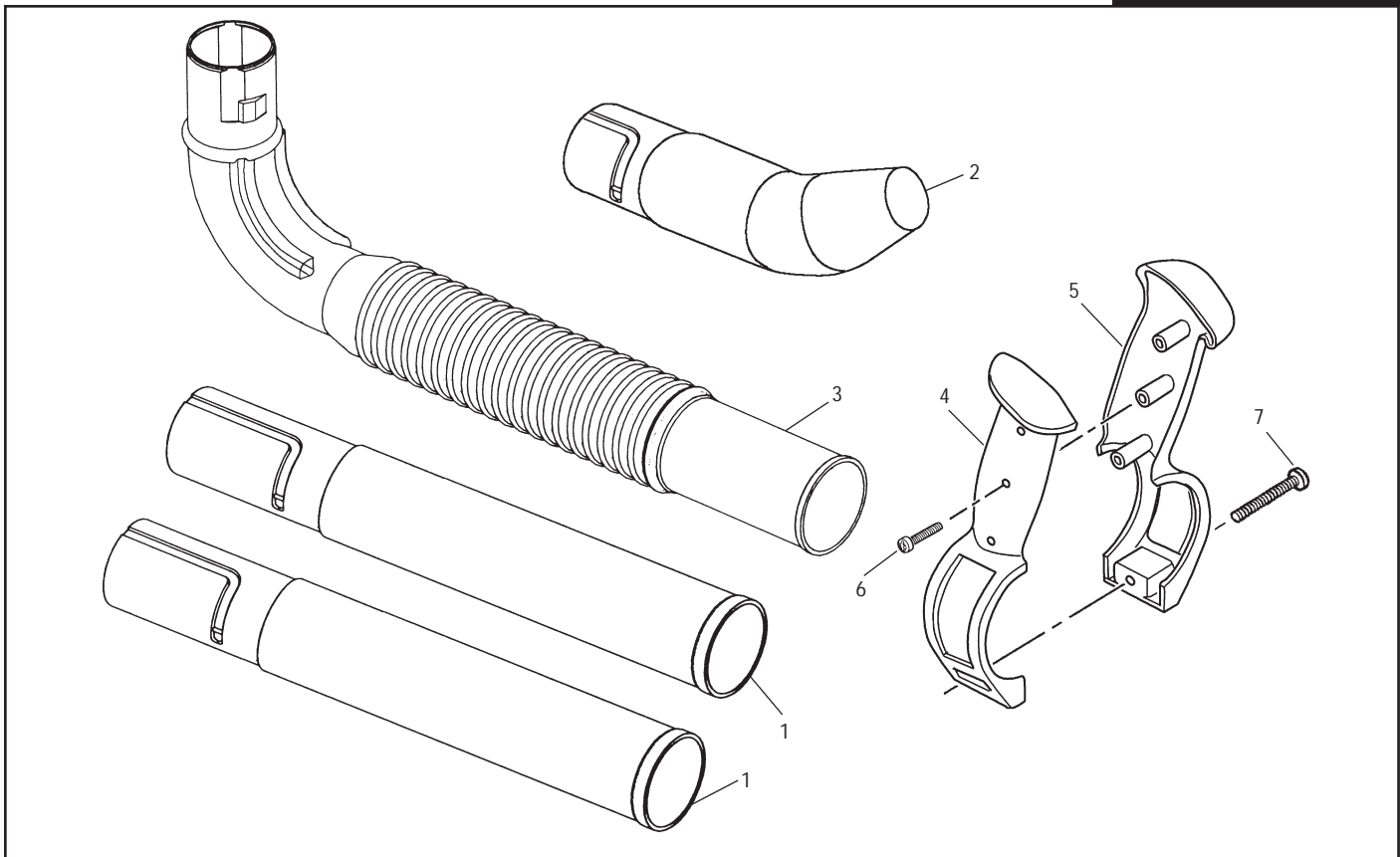
① Appears on units produced before 8/98.

## SPECIFICATIONS

Engine Type	Air-cooled, two cycle, single cylinder
Displacement	32.4cc (2.0 ci)
Idle RPM	3000 - 3500
Compression after 10 pulls, throttle full open	90 lb/sq.in.
Ignition	Solid State / Electronic
Flywheel to Ignition Gap	0.007 to 0.012 in. (0.178 to 0.304mm)
Spark Plug	RDJ8J or DJ8J
Spark Plug Gap	0.025 in. (0.63mm)
Fuel Tank Capacity	24 oz (71 cl)
Running Time	60 minutes
Air Volume	425 CFM
Air Velocity	180 MPH
Fuel to Oil Ratio	40:1 with McCulloch Custom Lubricant
Dry Weight	15.5 lbs (5.7 kg)
Carburetor	Diaphragm with Choke and Primer
Starter Cord	Nylon, Type 3.5, Length 46 in. (117cm)

# BLOWER TUBES

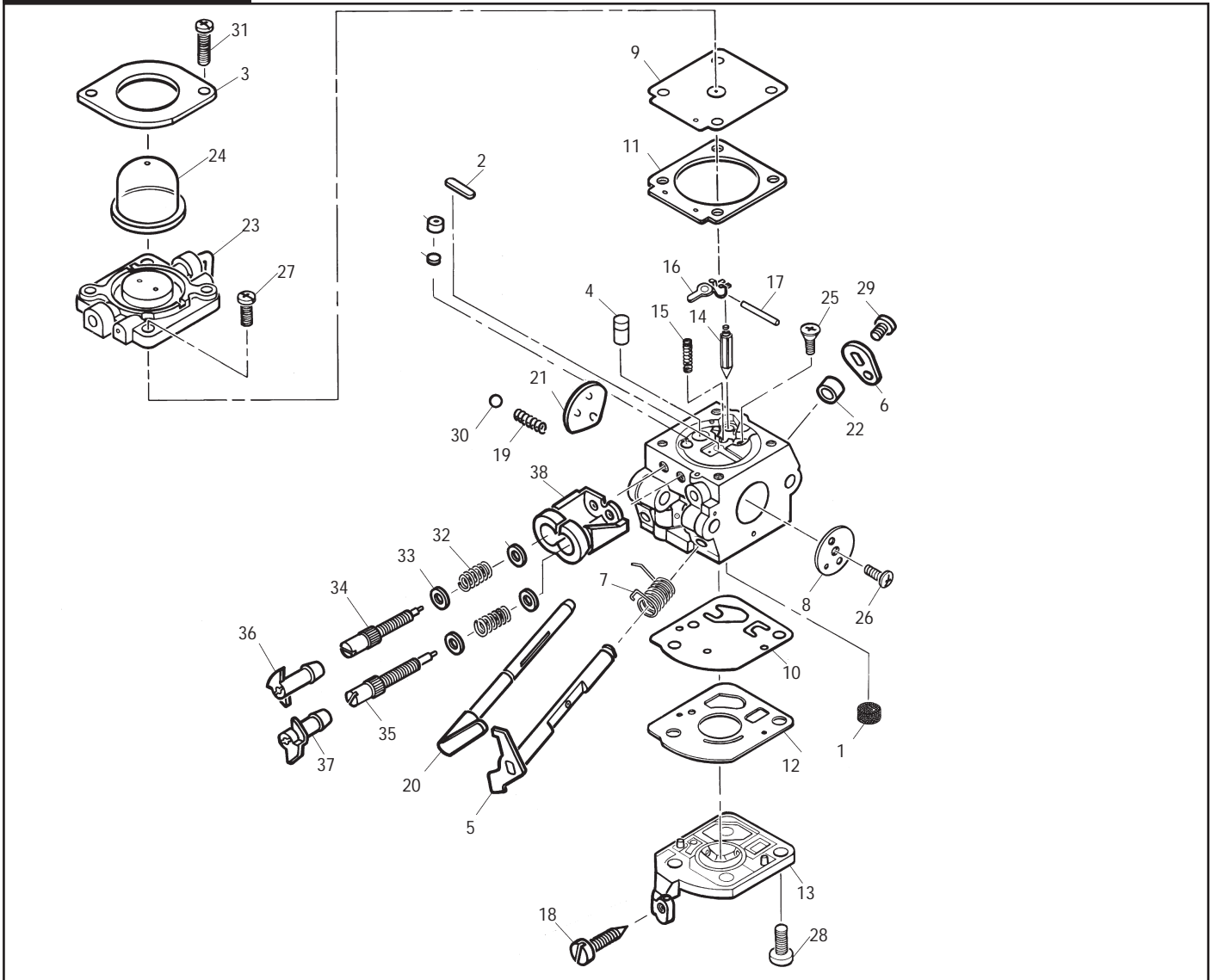
## FIGURE 3



ITEM NO.	STK CODE	PART NUMBER	DESCRIPTION	UNITS PER ASY	ITEM NO.	STK CODE	PART NUMBER	DESCRIPTION	UNITS PER ASY
1	C	324221	Tube, Air	2	5	B	324224	Handle, Tube, LH	1
2	C	324222	Nozzle, Concentrator Outlet	1	6	A	111061	Screw, 6-19x.62FI Hd Plast	3
3	C	324220	Elbow, Flex Tube	1	7	B	111179	Screw, 12-14x1.5 Torx	1
4	B	324223	Handle, Tube, RH	1					

# TORQUE SPECIFICATIONS

DESCRIPTION	FASTENER	QTY	FIG/ITEM NO.	TORQUE (in.lbs)	LOCTITE
Muffler to Cylinder	111159 10-24 x 2.25 Taptite	2	1 / 1	55 - 60	272
Air Cover to Air Box	300294 8-16 x .75 Plastite	2	1 / 7	15 - 20	--
Air Box Plate to Carb Manifold	218083 10-24 x 2	2	1 / 12	25 - 35	--
Throttle cable to Carb Manifold	111226 10-24 x 6.25	1	1 / 19	15 - 20	242
Carb Manifold to Cylinder	111203 10-24 x .875	2	1 / 20	55 - 60	--
Flywheel to Crankshaft	111085 7/16 - 20 Hex Nut	1	1 / 33	170 - 180	272
Ignition Module to Eng Shroud	111203 10-24 x .875	2	1 / 35	45 - 50	272
Engine Shroud to C'case	111067 10-24 x .625 Taptite	3	1 / 42	55 - 60	272
C'case to Cylinder	111065 10-24 x .688	4	1 / 51	55 - 60	272
Cylinder Cover to Inner Housing	300294 8-16 x .75 Plastite	3	1 / 56	15 - 20	--
Cylinder Cover to C'case	218644 10 - 14 x .750 Plastite	1	1 / 57	15 - 20	--
Spark Plug	92879 RDJ8J (DJ8J)	1	1 / 58	140 - 150	--
C'case Plate to C'case	111065 10-24 x .688 Taptite	4	1 / 63	40 - 45	272
Washer to Impeller	110961 5/16 Hex Nut	1	2 / 3	60 - 80	--
Outer Housing to Inner Housing	300294 8-16 x .75 Plastite	8	2 / 7	15 - 20	--
Rope Cover to Inner Housing	300294 8-16 x .75 Plastite	4	2 / 23	15 - 20	--
Starter Housing to Inner Housing	300294 8-16 x .75 Plastite	3	2 / 24	15 - 20	--

**FIGURE 4**
**CARBURETOR ASSEMBLY**


ITEM NO.	STK CODE	PART NUMBER	DESCRIPTION	UNITS PER ASY	ITEM NO.	STK CODE	PART NUMBER	DESCRIPTION	UNITS PER ASY
	B	322410-01	Carburetor - Zama C1U-M35A	1					
1	---	①	. Strainer	1	22	---	---	. Collar	1
2	---	①	. Plug, Welch	1	23	---	---	. Base Asy, Primer	1
3	---	---	. Retainer, Prime	1	24	A	223756	. Primer Bulb	1
4	---	---	. Nozzle Asy, Check Valve	1	25	---	---	. Screw, Pin	1
5	---	---	. Shaft Asy, Throttle	1	26	---	---	. Screw, Throttle Valve	1
6	---	---	. Lever, Throttle	1	27	---	---	. Screw, Metering Cover	2
7	---	---	. Spring, Throttle Return	1	28	---	---	. Screw, Pump Cover	2
8	---	---	. Valve, Throttle	1	29	---	---	. Screw, Throttle Lever	1
9	---	①②	. Diaphragm Asy, Metering	1	30	---	---	. Ball, Steel	1
10	---	①②	. Diaphragm, Pump	1	31	---	---	. Screw, Retainer	2
11	---	①②	. Gasket, Metering Chamber	1	32	---	---	. Spring, Adjust Screw	1
12	---	①②	. Gasket, Pump	1	33	---	---	. Washer, Limiter	1
13	---	---	. Cover, Pump	1	34	---	---	. Screw, Hi Speed	1
14	---	①	. Valve, Inlet Needle	1	35	---	---	. Screw, Low Speed	1
15	---	①	. Spring, Metering Lever	1	36	B	111216	. Limiter Cap, High, 2-Stg Red	1
16	---	①	. Lever, Metering	1	37	B	111217	. Limiter Cap, Low, 2-Stg Nat	1
17	---	①	. Pin	1	38	---	---	. Retainer, Limiter	1
18	---	---	. Screw, Throttle Adjust	1			①	224711 Kit, Major Repair (RB-29)	
19	---	---	. Spring, Friction	1			②	300472 Kit, Gasket/Diaphragm (GND-12)	
20	---	---	. Shaft Asy, Choke	1					
21	---	---	. Valve, Choke	1					



P.O. Box 31567 • Tucson, Arizona 85751-1567 • U.S.A.

• **MANUFACTURING • SALES • SERVICE •**

FOR WARRANTY OR SERVICE CONTACT THE NEAREST McCULLOCH AUTHORIZED  
SERVICE CENTER LISTED UNDER 'SAWS' IN YOUR  
TELEPHONE DIRECTORY YELLOW PAGES.

IF FURTHER ASSISTANCE IS REQUIRED CALL THIS TOLL-FREE HOT LINE.  
PLEASE REFERENCE YOUR MODEL AND SERIAL NUMBER.

**1-800-521-8559**

MONDAY - FRIDAY - 6:00 AM - 4:30 PM (MST)

*[www.mccullochpower.com](http://www.mccullochpower.com)*

